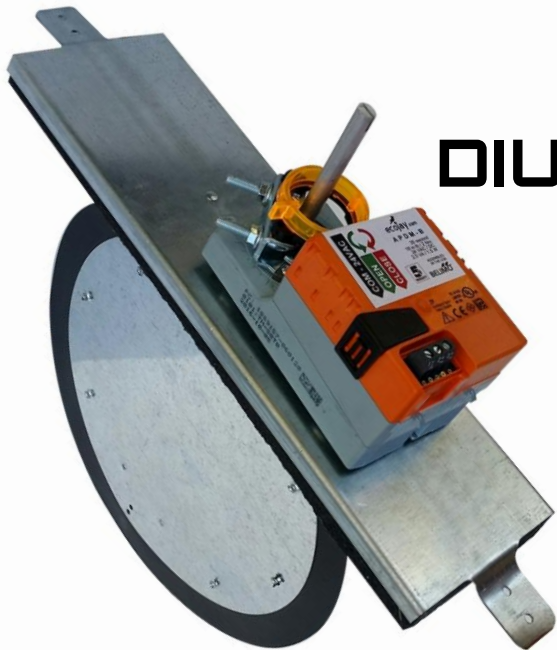


## INSERTABLE POWER OPEN/POWER CLOSE\*

**POWER DAMPERS** POWER OPEN /POWER CLOSE DAMPERS USE THREE WIRES TO POWER THE DAMPER OPEN OR POWER IT CLOSED. THE ZONE PANEL IS RESPONSIBLE FOR SUPPLYING A 24VAC SIGNAL TO EITHER THE PO (POWER OPEN) OR PC (POWER CLOSED) TERMINAL OF THESE DAMPERS. PRIMARY ADVANTAGES OF POWER OPEN/POWER CLOSE DAMPERS INCLUDE LOWER POWER CONSUMPTION, QUIET OPERATION AND GREATER RELIABILITY.

- **RELIABLE ACTUATOR WITH HIGH TORQUE & LOW POWER CONSUMPTION**
- **18 GAUGE MOUNTING PLATE & UL LISTED GASKET MATERIAL**
- **PRECISION CONSTRUCTION & QUALITY PARTS FOR LONG-LIFE & QUIET OPERATION**
- **360° FULL-DIAMETER POLY GASKET FOR LOWEST LEAKAGE SEAL**
- **SET MINIMUM OR MAXIMUM OPEN & CLOSE**



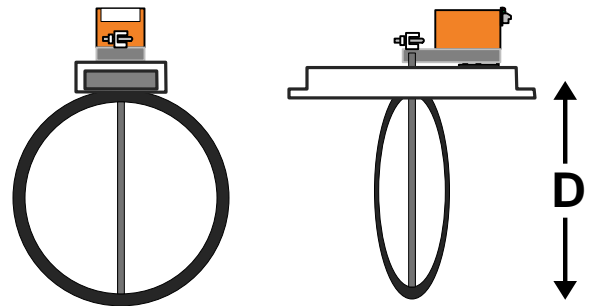
### DIUP

# DAMPERS



### PART #

- DIUP04
- DIUP05
- DIUP06
- DIUP07
- DIUP08
- DIUP09
- DIUP10



## SPECIFICATIONS

<b>BRACKET:</b>	18 GA. GALVANIZED STEEL
<b>BLADE:</b>	GALVANIZED STEEL WITH SANDWICHED URETHANE (RUBBERIZED) GASKET - UL LISTED
<b>SHAFT:</b>	5/16" ROUND ALUMINUM
<b>BUSHINGS:</b>	HARDENED NYLON
<b>WIRING:</b>	18 OR 20 AWG (OPEN -PO, CLOSE - PC, COM -24VAC COMMON) ANY ORIENTATION, HARD DUCT, SPIRAL DUCT, STARTING COLLAR, ETC
<b>MOUNTING:</b>	
<b>MOTOR:</b>	PART # APDM-B POWER OPEN/POWER CLOSE (3-WIRE) VOLTAGE: 24VAC / 60HZ POWER: 2.5VA (1.5W) TORQUE: 18IN-LB (2NM) TRAVEL TIME: 35 SEC +/- 0.25 TRAVEL ANGLE: 90 DEG (FULL OPEN/CLOSE)



### WIRING

USE 18-AWG SOLID WIRE TO CONNECT "COM", "OPEN" & "CLOSE" TERMINALS TO ZONE PANEL

### CLUTCH

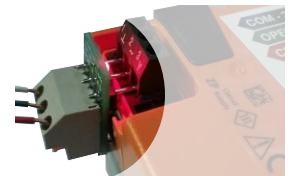
USE THIS BUTTON TO MANUALLY ROTATE THE SHAFT/BLADE

### SHAFT CLAMP

TO REMOVE MOTOR, LOOSEN TWO NUTS ON THE V-BOLT

### MIN / MAX SETTING

MOVE SCREWS TO SET A MINIMUM OR MAXIMUM OPEN OR CLOSE OF THE DAMPER



**LED & SCREWLESS TERMINAL**  
ADD-ON AVAILABLE  
GREEN = OPEN  
RED = CLOSED

